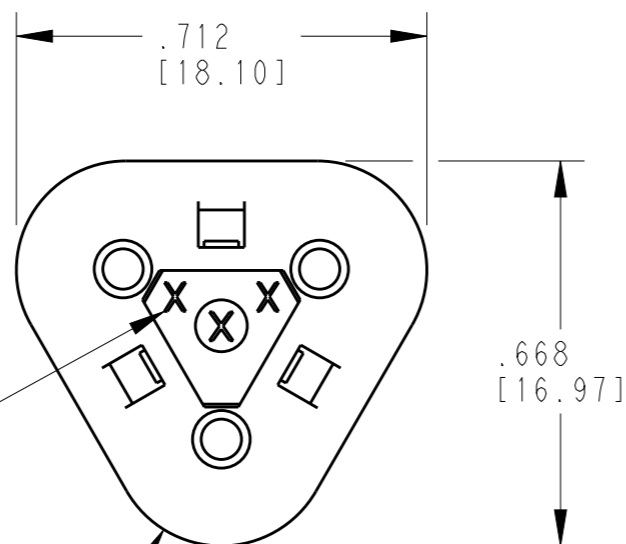
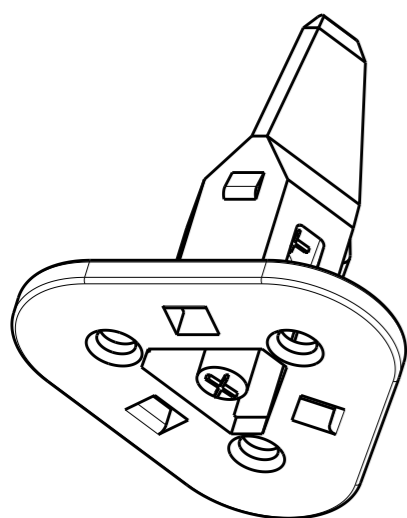
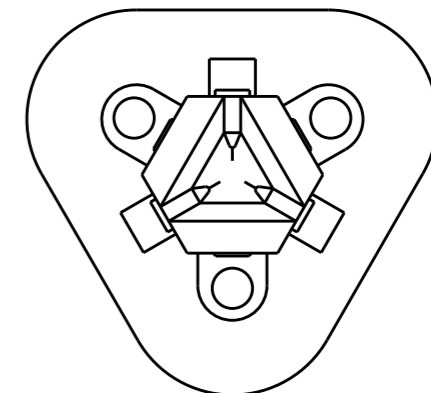
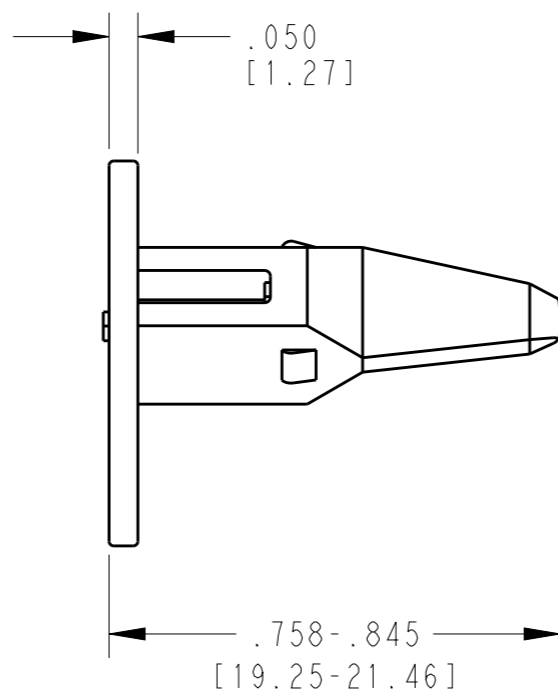


THIS DRAWING IS UNPUBLISHED. RELEASED FOR PUBLICATION 2016
 © COPYRIGHT 1999 BY TE CONNECTIVITY ALL RIGHTS RESERVED.

LOC	DIST	REVISIONS			
P	LTR	DESCRIPTION	DATE	DWN	APVD
	B	REVISED PER E.O P16279	03SEP1999	ST	RDR
	C	REVISED PER E.O P18246	22AUG2003	XS	RDR
	D	REVISED PER E.O P20857	04APR2011	AM	RDR
	E	REVISED PER ECO-16-001284	28JAN2016	JA	DM



3X OPTIONAL CAVITY ID LOCATIONS APPROX AS SHOWN



TE INTERNAL PN	DEUTSCH PN
W3S-1939	W3S-1939

2 MATERIAL: PBT 30% GF (BLUE)

- THIS WEDGE MAY BE USED WITH DT06-3S-XXXX PLUG (XXXX = ALL MODIFICATIONS). CONSULT FACTORY FOR MODIFICATION AND APPLICATION.

NOTES:

THIS DRAWING IS A CONTROLLED DOCUMENT.		DWN S. THEIS 27AUG1999	TE Connectivity				
DIMENSIONS: INCHES [mm]		CHK B. BYFORD 04APR2011					
		APVD S. BEARD 04APR2011	NAME KEYED WEDGE LOCK FOR 3 WAY PLUG COLOR: BLUE DT SERIES				
		TOLERANCES UNLESS OTHERWISE SPECIFIED: 0 PLC ± 1 PLC ± 2 PLC ± 3 PLC ±.025 [0.64] 4 PLC ± ANGLES ±0°30'0"		PRODUCT SPEC	SIZE A3	CAGE CODE 4AFU8	DRAWING NO W3S-1939
MATERIAL 2	FINISH	APPLICATION SPEC	WEIGHT 0.91g	SCALE 3:1	SHEET 1	OF 1	REV E
		CUSTOMER DRAWING					